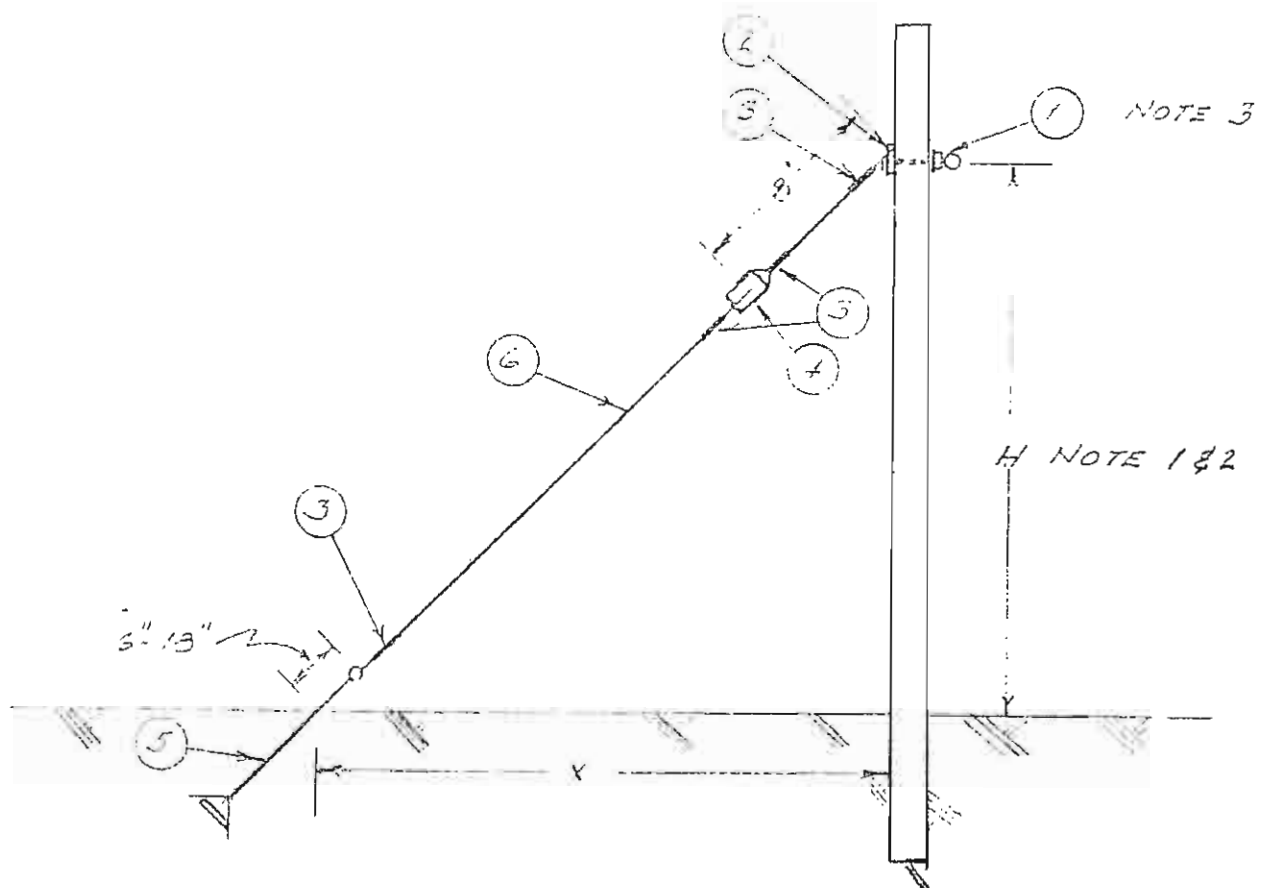


MATERIAL LIST

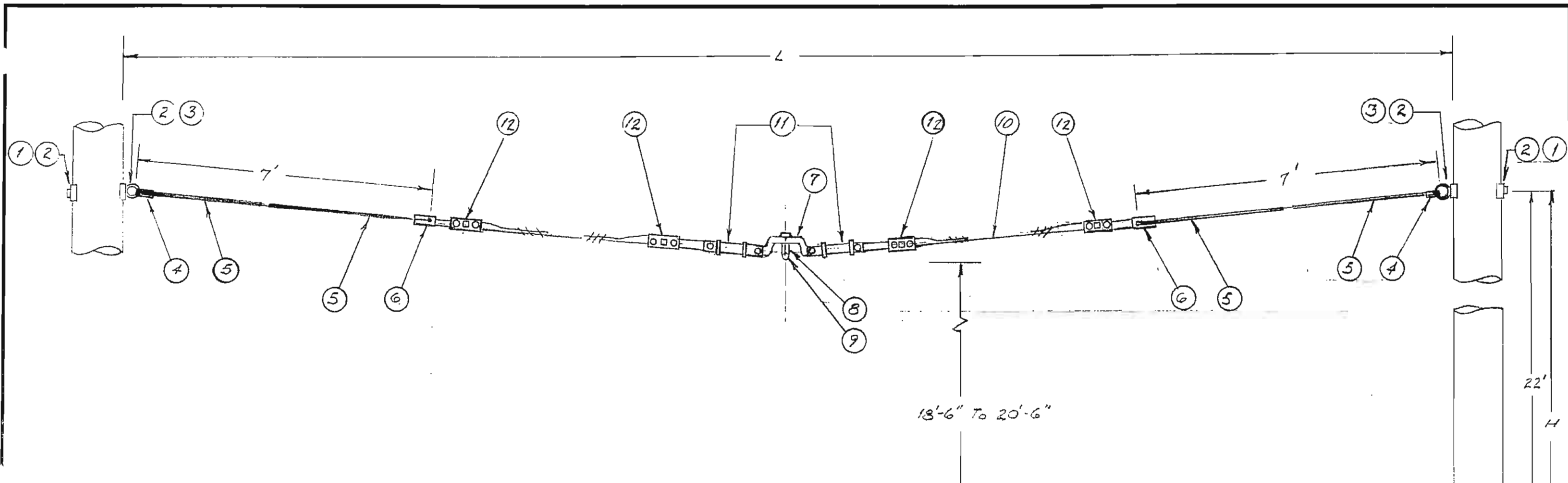
ITEM	DESCRIPTION	NO. REQD	MFG. & CATALOG No.
1	BOLT, MACHINE, 5/8" x 12" WITH STUDIED WASHER, 3" & a) 3/4" HOLE CUT b) E.I.E. NUT	1	CHANCE 2312, 3814, 5616, 6823 1/2 CHANGE 55084 P CHANGE 6592
2	HOOK, ANCHOR GUY	1	CHANGE 645113
3	a) GUY PREFORMED GUY, 7/16" STEEL b) CLAMP, 3 BOLT GUY c) WRAPPED	4 4 4	PREFORMED GDE-1108 "B" COATING CHANGE 6461
4	INSULATOR, STRAIN, PORCELAIN	1	VICTOR 504
5	ANCHOR a) POWER INSTALLED SCREW b) EXPANDING, 5/8" x 10" ROD, 5/8"	1 1	CHANGE 88135 & 5318
6	GUY, ANCHOR, 7/16" COMMON, "B" COATING, 5700# BREAKING STRENGTH	30 (EST.)	



NOTES

1. DISTANCE "X" SHALL EQUAL HEIGHT "H" WHENEVER POSSIBLE.
2. HEIGHT "H" TO BE SPECIFIED ON CONSTRUCTION DRAWINGS.
3. WHEN ANCHOR & ANCHOR GUY ARE INSTALLED AS PART OF D.S. 102-109 & 112-114, ITEM 1 SHOULD BE CHANGED TO AN EYE BOLT.

OVERHEAD STANDARD ANCHOR AND ANCHOR GUY		
SCALE: 1/8" = 1'	APPROVED BY: <i>Joseph G. Taylor</i>	DRAWN BY: R.T.
DATE: 12/15/00		REVISED 2/6/01
FOX RIVER TROLLEY MUSEUM		
CHICAGO SIGNAL & ENGINEERING CO. ELECTRICAL ENGINEERS		DRAWING NUMBER O.S. 101



MATERIAL LIST

ITEM	DESCRIPTION	No. REQD.	MFG. & CATALOG No.
1	NUT, SQUARE, 5/8" x 3	2	CHANCE 55084 P
2	WASHER, SQUARE CURVED, 3"	4	CHANCE 6823 1/2
3	BOLT, DYALITE, 5/8" x 12"-14"-16"	2	CHANCE 29962, 29964, 29966
4	THIMBLE (USE WITH ITEM 5a)	2	CHANCE, 6594
5	a) GRIP, PREFORMED GUY b) CLAMP, 3 BOLT GUY c) WRAP	4 4 4	PREFORMED GDE-1108 CHANCE, 6461
6	INSULATOR, STRAIN, FOSBELAIN	2	VICTOR 504
7	WIRE, DOUBLE PULLOVER WITH 5/8" x 2 1/4" STUD	1	DB 14073 PHOENIX 1485
8	CLAMP, TROLLEY,	1	05 19438, TYPE HS PHOENIX 5664
9	TROLLEY WIRE, 3 GROOVED		PHELPS-DODGE
10	5 THICK GALVANIZED, COMMON 3 COATING 500# BEARING STEEL 3/4"	None/1	
11	INSULATOR, STRAIN, HI-LITE, 12"	2	DB 54985-6120 PHOENIX 5850-6120
12	CLAMP, 3 BOLT GUY	4	CHANCE 6461

18'-6" To 20'-6"

TOP OF RAIL

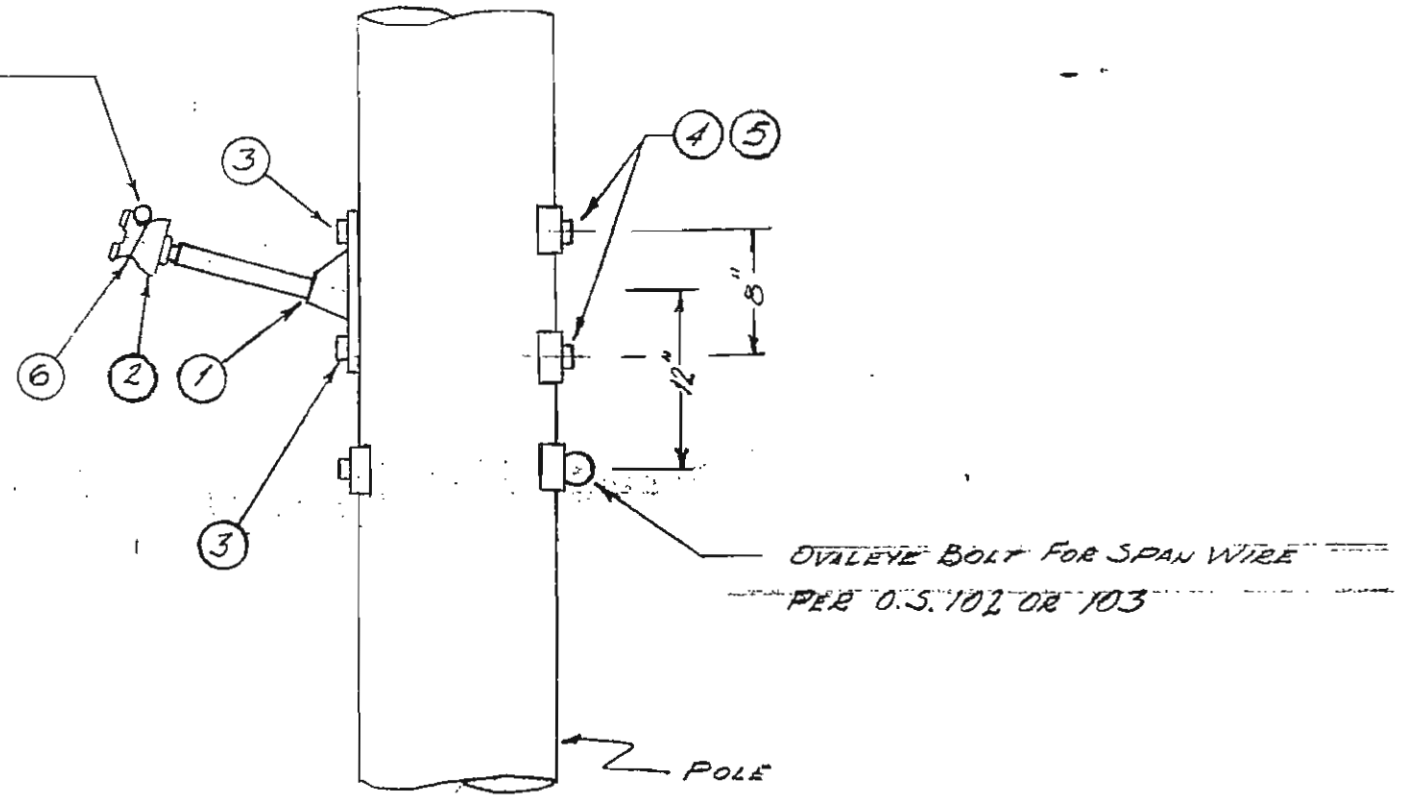
NOTES

- SPAN LENGTH "L" SPECIFIED ON CONSTRUCTION DRAWING
- HEIGHT "H" VARIES DUE TO TERRAIN - SPECIFIED ON CONSTRUCTION DRAWING.
- ITEMS 2, 3 MAY BE OMITTED FROM THIS MATERIAL LIST IF THEY HAVE BEEN INSTALLED AS PART OF O.S. 101.

OVERHEAD STANDARD  
SPAN WIRE - SINGLE TRACK WITH DOUBLE YOKE HANGER

SCALE: HO 1/2" = 1'	APPROVED BY:	DRAWN BY: RST
DATE: 2/4/01	<i>Ray G. Taylor</i>	REVISED 3/12/01
FOX RIVER TROLLEY MUSEUM		
CHICAGO SIGNAL & ENGINEERING COMPANY ELECTRICAL ENGINEERS		DRAWING NUMBER O.S. 102 B

D.C. FEEDER CABLE  
 4770 MCM ALUMINUM  
 COVERED LINE WIRE



MATERIAL LIST

ITEM	DESCRIPTION	NO. REQ'D.	MFG. & CATALOG NO.
1	BRACKET, STANDOFF, HORIZONTAL PIN, 12"	1	CHANCE 75BM12H1 JULYNT561-012
	18"	1	15BM18H1 7561-018
	24"	1	15BM24H1 7561-024
2	INSULATOR, PIN	1	VICTOR BR
3	BOLT, MACHINE, 5/8" x 12"-14"-16"	2	CHANCE 29962, 29964, 29966
4	WASHER, SQUARE CURVED, 3"	2	CHANCE 6823 1/2
5	NUT, SQUARE, 5/8" φ	2	CHANCE 55084P
6	TIE, TANGENT SIDE, PLASTIC	1	PREFORMED SSC-2154

NOTE: LENGTH OF BRACKET TO BE SPECIFIED ON CONSTRUCTION DRAWING.

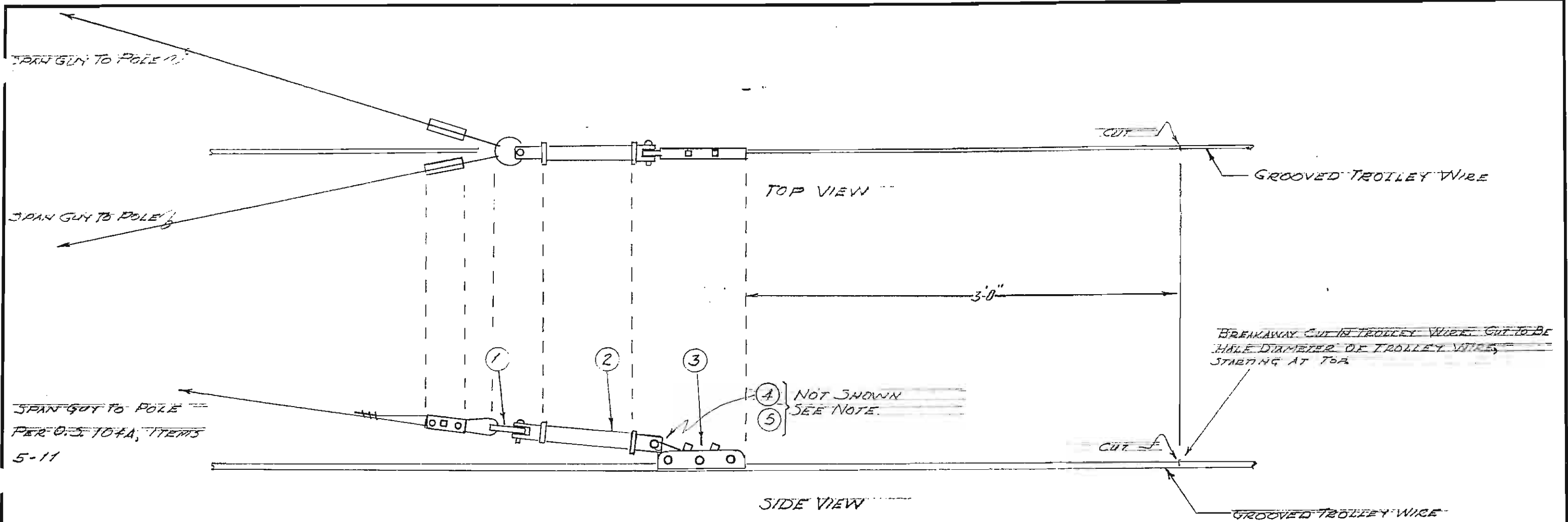
OVERHEAD STANDARD  
 FEEDER CABLE HORIZONTAL PIN STANDOFF BRACKET

SCALE: 1" = 1'	APPROVED BY: <i>Garth G. Taylor</i>	DRAWN BY RRT
DATE: 2/16/01		REVISED 3/11/01

FOX RIVER TROLLEY MUSEUM

CHICAGO SIGNAL & ENGINEERING COMPANY  
 ELECTRICAL ENGINEERS

DRAWING NUMBER  
 O.S. 112C



MATERIAL LIST

ITEM	DESCRIPTION	NO. REQ'D.	MFG. & CATALOG NO.
1	RING, STEEL, 5/8" x 3"	1	OHIO BRASS 18552, PHOENIX 8911
2	INSULATOR, STRAIN, CLEVIS-CLEVIS AT RIGHT ANGLES, HI-LITE, 12"	1	OHIO BRASS 54984-6/20 PHOENIX 5857-6/20
3	CLAMP, STRAIN, SINGLE, TYPE T	1	OHIO BRASS 16907 PHOENIX 7540
4	CHAIN LINKS, 1/2" x 1 3/4", GRADE 30	4	ACE HARDWARE
5	QUICK LINK, 5/16" φ x 5"	1	ACE HARDWARE

NOTE

ADD FOUR 1 3/4" CHAIN LINKS (NOT SHOWN) BETWEEN ITEMS 2 & 3 SO THAT TROLLEY SHOE WILL CLEAR ITEM 2.

OVERHEAD STANDARD

SINGLE DIRECTION STRAIN CLAMP

SCALE: 1 1/2" = 1'

DATE: 2/14/01

APPROVED BY: *Jeffrey A. Taylor*

DRAWN BY: R.R.T.

REVISED 3/12/01

1/11/09

FOX RIVER TROLLEY MUSEUM

CHICAGO SIGNAL & ENGINEERING COMPANY

ELECTRICAL ENGINEERS

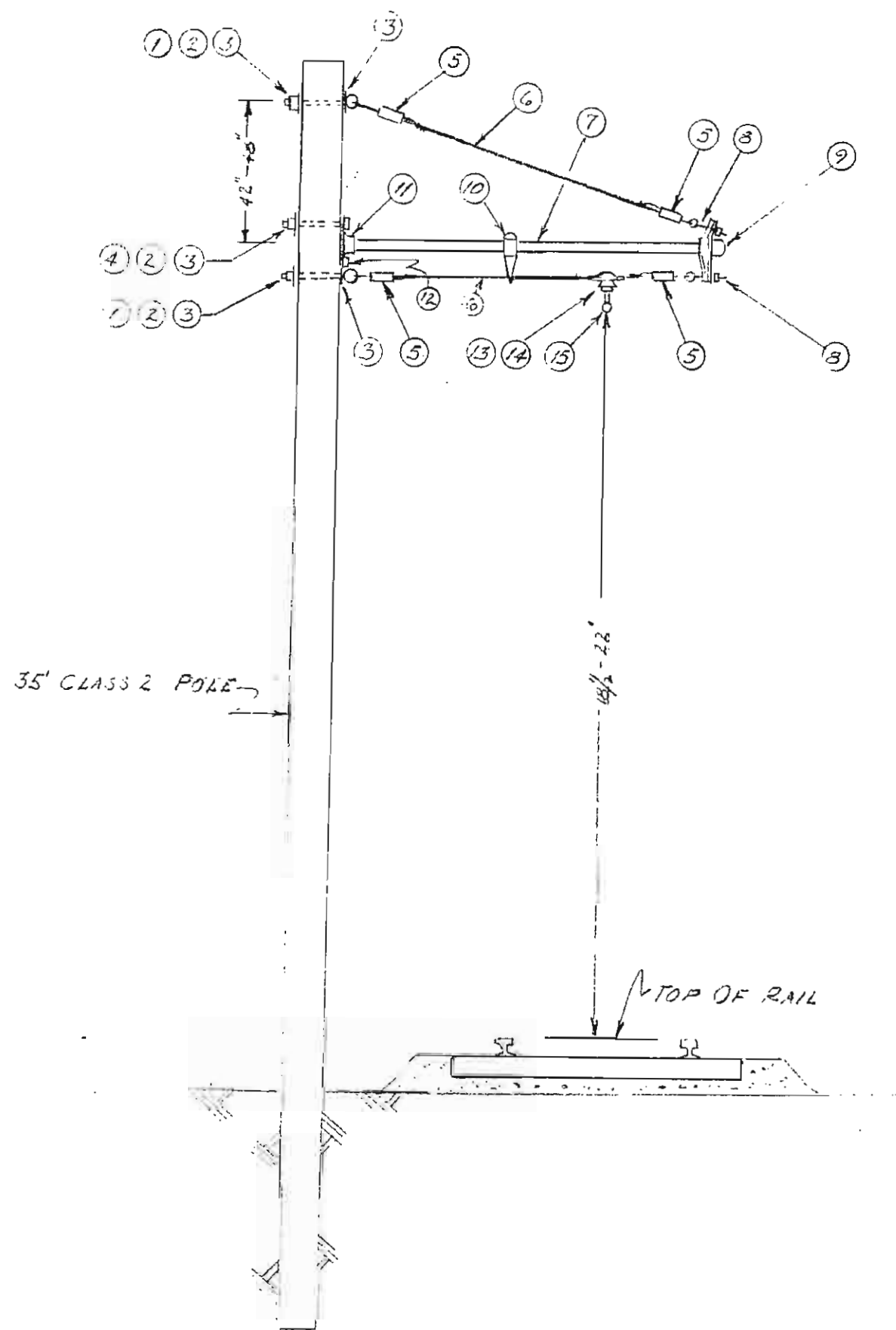
DRAWING NUMBER

O.S. 114A

POLE LENGTH	TOTAL SETTING DEPTH					
	100% SOIL	LOOSE ROCK	COMBINATION SOIL & ROCK			
			SURFACE SOIL DEPTH			
			1'	2'	3'	4'
25'	5'-0"	3'-0"	3'-4"	3'-8"	4'-0"	4'-4"
30'	5'-6"	3'-6"	3'-10"	4'-2"	4'-6"	4'-10"
35'	6'-0"	4'-0"	4'-4"	4'-8"	5'-0"	5'-4"
40'	6'-0"	4'-0"	4'-4"	4'-8"	5'-0"	5'-4"
45'	6'-6"	4'-4"	4'-8"	5'-0"	5'-4"	5'-8"
50'	7'-0"	4'-8"	5'-0"	5'-4"	5'-8"	6'-0"

IN COMBINATION SOIL AND ROCK THE TOP SHALL BE CUT OFF AN AMOUNT EQUAL TO THE DIFFERENCE BETWEEN THE DEPTH OF SETTING IN 100% SOIL AND THE DEPTH OF SETTING.

OVERHEAD STANDARD DEPTH OF SETTING POLES		
SCALE: _____	APPROVED BY: <i>Ralph G. Taylor</i>	DRAWN BY RRT
DATE: 12/10/00		REVISED 2/6/01
FOX RIVER TROLLEY MUSEUM		
CHICAGO SIGNAL & ENGINEERING COMPANY ELECTRICAL ENGINEERS		DRAWING NUMBER O.S. 115



ITEM	DESCRIPTION	NO. REQ'D.	MFG. & CATALOG NO.
1	BOLT, OVALEYE, 5/8" x 12"	2	CHANCE 29962
2	NUT, 5/8" SQUARE	3	CHANCE 55084P
3	WASHER, SQUARE CURVED, 3"	5	CHANCE 6823 1/2
4	BOLT, MACHINE, 5/8" x 12"	1	CHANCE 8812
5	CLAMP, 3 BOLT GUY	4	CHANCE 6461
6	GUY WIRE, 7/16" COMMON, "B" COATING, 5700" BREAKING STRENGTH		
7	MAST ARM, 2" GALV. PIPE, 10' LONG*	1	
8	EYEBOLT, 3/8" x 6", WITH WASHER & NUT	2	
9	OUTER SPAN HOLDER	1	OHIO BRASS 14245, PHOENIX 3091
10	GUIDE CASTING	1	OHIO BRASS 11817, PHOENIX 3111
11	POLE CASTING	1	OHIO BRASS 11811, PHOENIX 3126
12	LAG SCREW, 3/8" x 3"	1	
13	HANGER, ROUND TOP	1	OHIO BRASS TYPE N-1, PHOENIX 3144
14	CLAMP, TROLLEY	1	OHIO BRASS TYPE HS, PHOENIX 5664
15	TROLLEY WIRE, 4/0 GROOVED		

\* OTHER LENGTHS MAY BE SPECIFIED ON CONSTRUCTION DRAWINGS

OVERHEAD STANDARD  
MAST ARM-SINGLE TRACK WITH ROUND TOP HANGER

SCALE:	APPROVED BY: <i>George G. Taylor</i>	DRAWN BY: R 27 G.S. BY
DATE: 12/10/25		REVISED

FOX RIVER TROLLEY MUSEUM

CHICAGO SIGNAL & ENGINEERING CO. ELECTRICAL ENGINEERS	DRAWING NUMBER O.S. 116
--	----------------------------